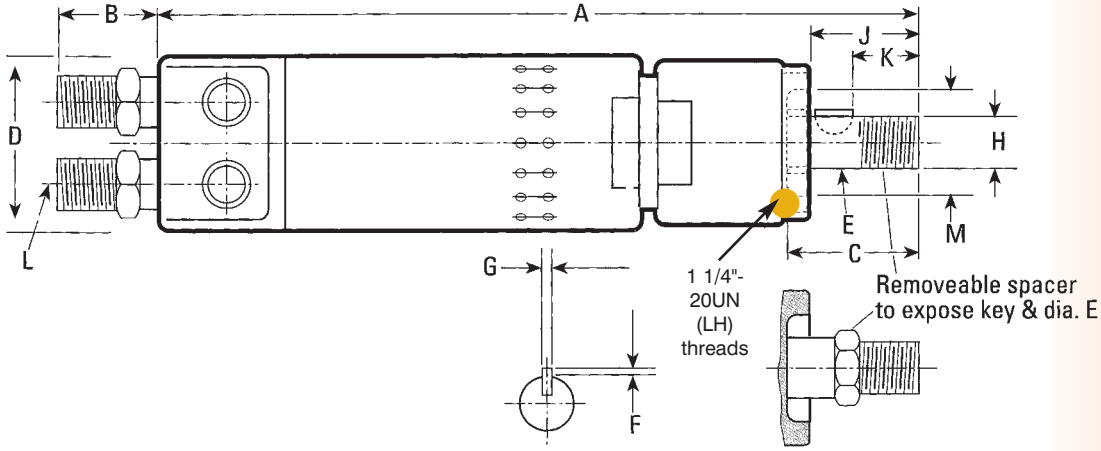


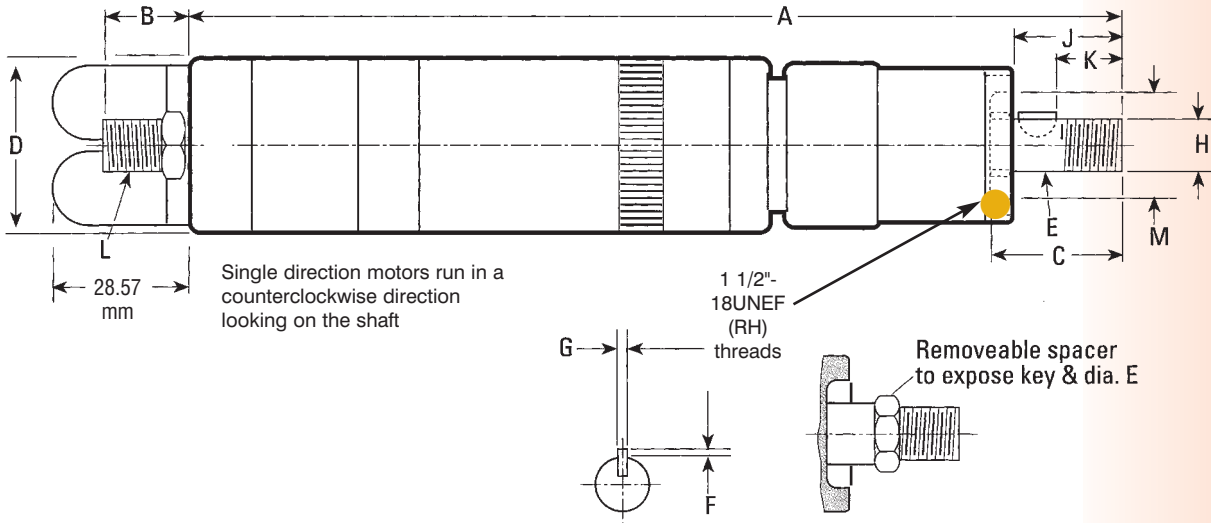
Dimensions

2 Series (reversible)



2 Series	A mm	B mm	C mm	D mm	E mm	F mm	G mm	H	J mm	K mm	L	M mm
MD2R45RB	130	24	24	38.1	$\frac{9.512}{9.499}$	1.19	2.38	3/8"-24 UNF	20	11.1	1/4 BSP	16
MD2R27RB	130	24	24	38.1	$\frac{9.512}{9.499}$	1.19	2.38	3/8"-24 UNF	20	11.1	1/4 BSP	16
MD2R09RB	155	24	24	38.1	$\frac{9.512}{9.499}$	1.19	2.38	3/8"-24 UNF	20	11.1	1/4 BSP	16
MD2R06RB	155	24	24	38.1	$\frac{9.512}{9.499}$	1.19	2.38	3/8"-24 UNF	20	11.1	1/4 BSP	16

5A Series (forward)



5A Series	A mm	B mm	C mm	D mm	E mm	F mm	G mm	H	J mm	K mm	L	M mm
MD5R45A	162	16	20	42.06	$\frac{9.512}{9.499}$	1.19	2.38	3/8"-24 UNF	18.5	9.5	1/4 BSP	15.87
MD5R29A	162	16	20	42.06	$\frac{9.512}{9.499}$	1.19	2.38	3/8"-24 UNF	18.5	9.5	1/4 BSP	15.87
MD5R22A	162	16	20	42.06	$\frac{9.512}{9.499}$	1.19	2.38	3/8"-24 UNF	18.5	9.5	1/4 BSP	15.87
MD5R12A	195	16	20	42.06	$\frac{9.512}{9.499}$	1.19	2.38	3/8"-24 UNF	18.5	9.5	1/4 BSP	15.87
MD5R07A	195	16	20	42.06	$\frac{9.512}{9.499}$	1.19	2.38	3/8"-24 UNF	18.5	9.5	1/4 BSP	15.87
MD5R04A	195	16	20	42.06	$\frac{9.512}{9.499}$	1.19	2.38	3/8"-24 UNF	18.5	9.5	1/4 BSP	15.87

1mm = 0.03937 inches