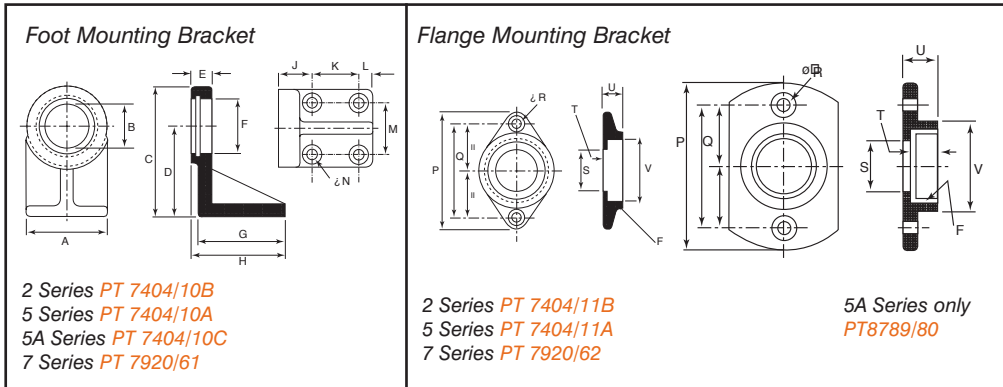


# Accessories



## Foot Mounting Bracket

All dimensions are in mm

	A	B	C	D	E	F	G	H	J	K	L	M	N
<b>2 Series</b>	41.3	22.3	61.3	47.6	8.3	1 1/4 - 20UN	44.5	47.6	10.3	23.8	7.1	27.0	5.2
<b>Part No. PT7404/10B</b>						LH							
<b>5R Series</b>	41.3	22.3	61.3	47.6	8.3	1 3/8 18UN	44.5	47.6	10.3	23.8	7.1	27.0	5.2
<b>Part No. PT7404/10A</b>													
<b>5A Series</b>	41.3	22.3	61.3	47.6	8.3	1 1/2 18 UN	44.5	47.6	10.3	23.8	7.1	27.0	5.2
<b>Part No. PT7404/10C</b>													
<b>7 Series</b>	54.0	-	81.0	54.0	-	1 3/4 16UN	49.2	52.4	17.0	22.3	8.0	38.0	5.2
<b>Part No. PT7920/61</b>													

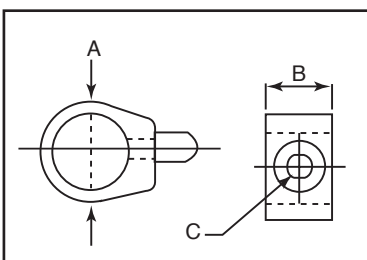
## Flange Mounting Bracket

All dimensions are in mm

	P	Q	R	S	T	U	V
<b>2 Series</b>	65.1	52.4	5.2	22.3	8.3	10.3	41.3
<b>Part No. PT7404/11B</b>							
<b>5R Series</b>	65.1	52.4	5.2	22.3	8.3	10.3	41.3
<b>Part No. PT7404/11A</b>							
<b>5A Series</b>	65.1	52.4	5.2	22.3	9.9	11.9	42.8
<b>Part No. PT8789/80</b>							
<b>7 Series</b>	82.5	66.6	5.2	-	-	16.7	54.0
<b>Part No. PT7920/62</b>							

## Exhaust Adaptors

These fit on the outside diameter of the motors to enclose the peripheral exhaust ports. They are fitted with silencers which may be removed for the piping of the exhaust air.



Part Number	A	B	Silencer Thread
<b>2 Series</b>			
<b>Part No. PT7992/58A</b>	51	27	3/8" NPT
<b>PT7992/58B</b>			3/8" BSP
<b>5 Series</b>			
<b>Part No. PT7400/520A</b>	65	38	1/2" NPT
<b>PT7400/520B</b>			1/2" BSP
<b>7 Series</b>			
<b>Part No. PT7920/64A</b>	77	38	1/2" NPT
<b>PT7920/64B</b>			1/2" BSP

Not applicable to 5A Series Motors  
 All dimensions in mm.

1mm = 0.03937 inches