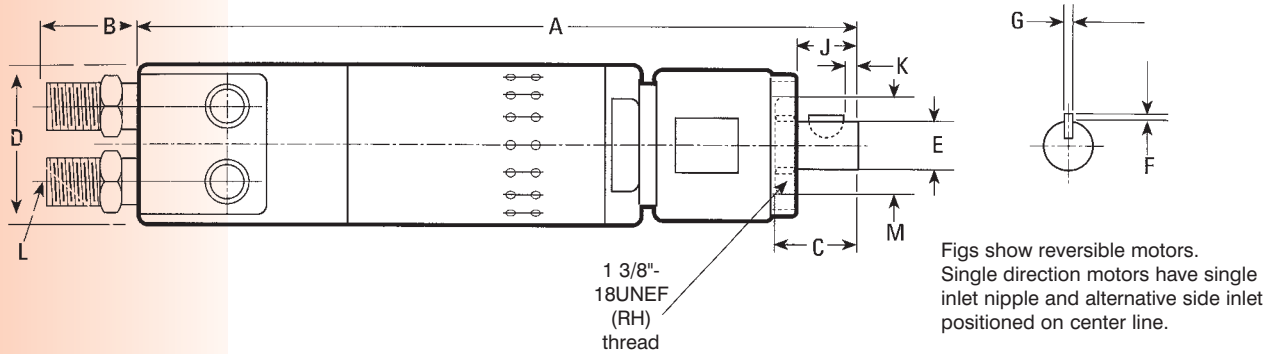


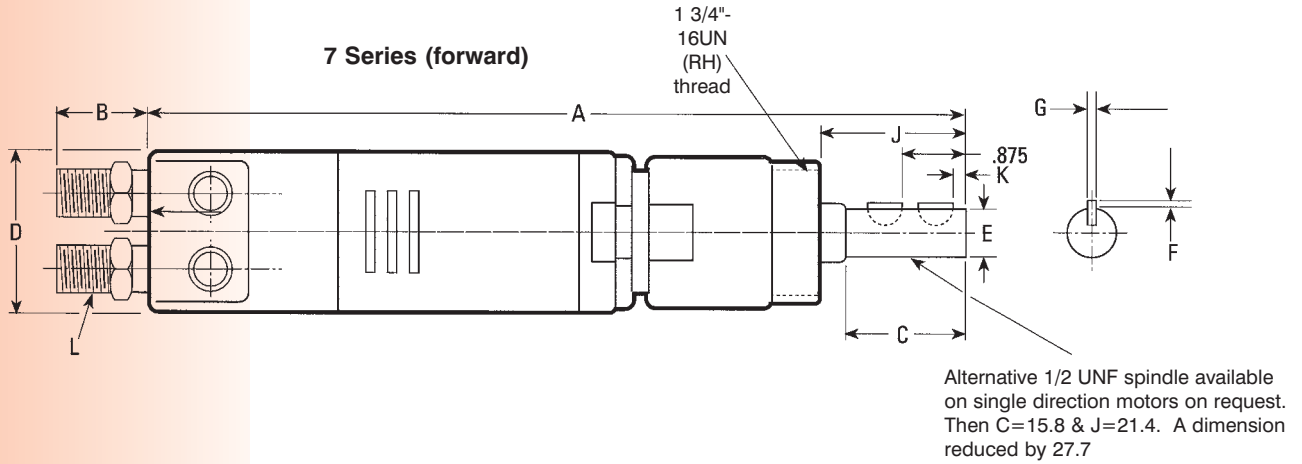
Dimensions

5R Series (reversible)



5R Series	A mm	B mm	C mm	D mm	E mm	F mm	G mm	J mm	K mm	L	M mm
MD5R - 45R	134	24	21	44	9.512 9.499	1.20	2.4	18.5	2.5	1/4 BSP	18
MD5R - 28R	134	24	21	44	9.512 9.499	1.20	2.4	18.5	2.5	1/4 BSP	18
MD5R - 18R	134	24	21	44	9.512 9.499	1.20	2.4	18.5	2.5	1/4 BSP	18
MD5R - 12R	174	24	21	44	9.512 9.499	1.20	2.4	18.5	2.5	1/4 BSP	18
MD5R - 08R	174	24	21	44	9.512 9.499	1.20	2.4	18.5	2.5	1/4 BSP	18
MD5R - 05R	174	24	21	44	9.512 9.499	1.20	2.4	18.5	2.5	1/4 BSP	18

7 Series (forward)



7 Series (forward)	A mm	B mm	C mm	D mm	E mm	F mm	G mm	J mm	K mm	L
MD7R - 150	230	24	41	55.56	12.687 12.674	1.47	3.2	49.5	5	1/4 BSP
MD7R - 42	230	24	41	55.56	12.687 12.674	1.47	3.2	49.5	5	1/4 BSP
MD7R - 27	230	24	41	55.56	12.687 12.674	1.47	3.2	49.5	5	1/4 BSP
MD7R - 13	280	24	41	55.56	12.687 12.674	1.47	3.2	49.5	5	1/4 BSP
MD7R - 08	280	24	41	55.56	12.687 12.674	1.47	3.2	49.5	5	1/4 BSP
MD7R - 05	280	24	41	55.56	12.687 12.674	1.47	3.2	49.5	5	1/4 BSP

Note: If 1/2 x 20 UNF output shaft required order MSD -** series

7 Series (reversible)	A mm	B mm	C mm	D mm	E mm	F mm	G mm	J mm	K mm	L
MD7R - 100R	230	24	41	55.56	12.687 12.674	1.47	3.2	49.5	5	1/4 BSP
MD7R - 35R	230	24	41	55.56	12.687 12.674	1.47	3.2	49.5	5	1/4 BSP
MD7R - 23R	230	24	41	55.56	12.687 12.674	1.47	3.2	49.5	5	1/4 BSP
MD7R - 10R	280	24	41	55.56	12.687 12.674	1.47	3.2	49.5	5	1/4 BSP
MD7R - 06R	280	24	41	55.56	12.687 12.674	1.47	3.2	49.5	5	1/4 BSP
MD7R - 04R	280	24	41	55.56	12.687 12.674	1.47	3.2	49.5	5	1/4 BSP

1mm = 0.03937 inches